



SL out line series



...visible difference

SL out line series



Best choice for:

- universal interior and exterior lighting
- lighting of machines, workstations, production lines, warehouses
- lighting of car service centers, car washes, but also agricultural production areas
- lighting of sports fields, advertising areas and other areas

Characteristic features of the product:

- very wide customization options from just one piece
- **7-year** warranty - individual warranties can be arranged
- use of high quality LEDs from the Japanese manufacturer Nichia
- the lamp does not flicker and has pleasant daylight for the eyes
- high mechanical resistance up to IK10

Customization options:

- dimensions of the luminaire, its color according to the RAL palette
- mounting method, types of brackets and suspension systems
- wiring of the luminaire via different types of connectors or customized cable lengths
- power supply also at 12-48 VAC / VDC
- light temperature 1800-6500 K with CRI 80-99, possibility of combination of colored light
- diffusion glasses and foils
- slight, motion, temperature and other sensors
- different dimming and control systems

Technical parameters:

Common technical data SL series out line

assembly	see page 4 brackets
dimensions	see page 4 brackets
IP protection	IP66/IP65/54 (depending on design)
mechanical resistance	IK10
body lamp material	aluminium alloy, polycarbonate Makrolon (alt. glass)
working temperature	from -30°C to +50°C (other temperature ranges available on request)
cooling	passive aluminium luminaire body
input voltage	90 V-264 V, 50/60 Hz*
protection class	I.
surge protection	2 kV, 4 kV, 6 kV, 10 kV*
power factor	> 0,97
LED type	NICHIA type Mid-Power, made in Japan
type of LED ballast	TRIDONIC
LEDs lifetime (Ta 25°C)	> 100 000 h / L90 / B10
color temperature	1800-6500 K
CRI (color rendering index)	CRI 80 - 99
UV and IR radiation	none
light control systems	to order: DALI2, 0-10V, 1-10V, PWM, WiFi, Bluetooth Casambi and others

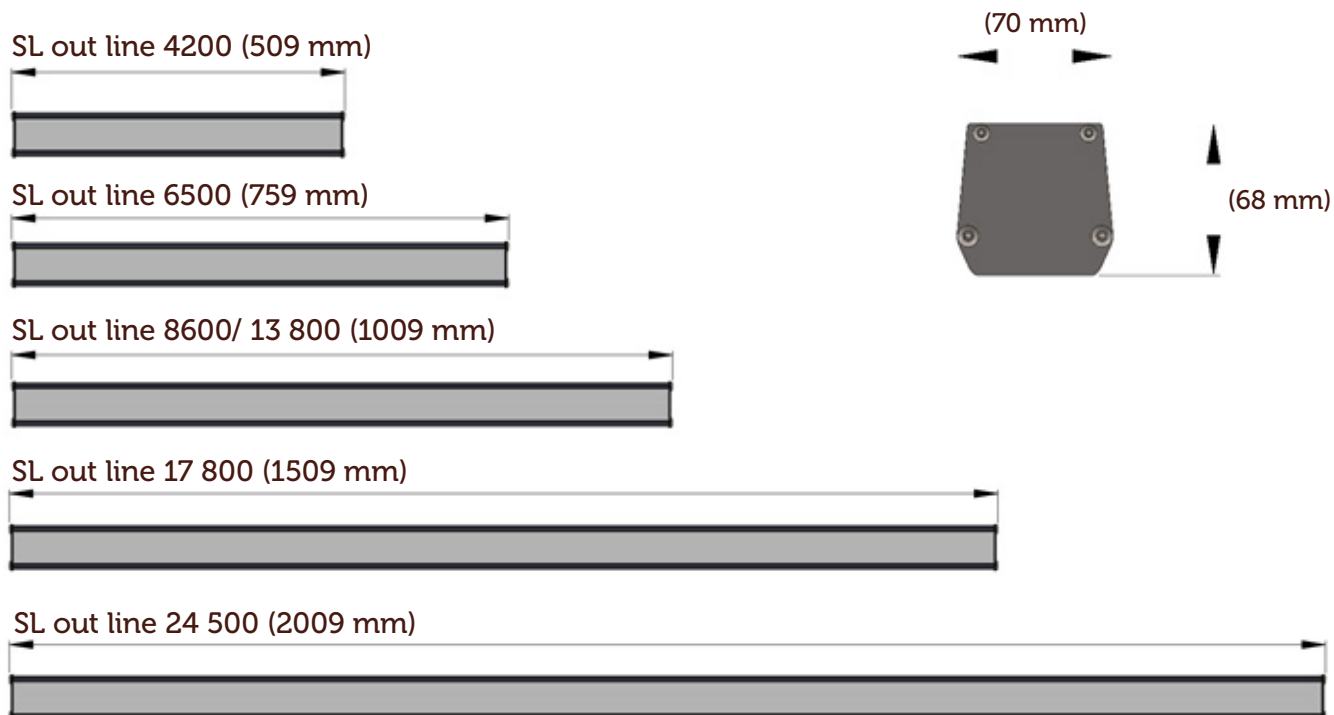
Technical data of individual types

type	color temperature	input	luminous flux	specific luminous power	LED number	length	weight
SL out line 4200	2700 K	30 W	4150 lm	138 lm/W	64 LEDS	509 mm	2,0 kg*
SL out line 4200	4500 K	30 W	4900 lm	163 lm/W	64 LEDS	509 mm	2,0 kg*
SL out line 4200	6500 K	30 W	4900 lm	163 lm/W	64 LEDS	509 mm	2,0 kg*
SL out line 6500	2700 K	45 W	6210 lm	138 lm/W	96 LEDS	759 mm	2,6 kg*
SL out line 6500	4500 K	45 W	7330 lm	163 lm/W	96 LEDS	759 mm	2,6 kg*
SL out line 6500	6500 K	45 W	7330 lm	163 lm/W	96 LEDS	759 mm	2,6 kg*
SL out line 8600	2700 K	60 W	8300 lm	138 lm/W	128 LEDS	1009 mm	3,2 kg*
SL out line 8600	4500 K	60 W	9800 lm	163 lm/W	128 LEDS	1009 mm	3,2 kg*
SL out line 8600	6500 K	60 W	9800 lm	163 lm/W	128 LEDS	1009 mm	3,2 kg*
SL out line 13 800	2700 K	88 W	11 950 lm	136 lm/W	128 LEDS	1009 mm	3,3 kg*
SL out line 13 800	4500 K	88 W	13 900 lm	158 lm/W	128 LEDS	1009 mm	3,3 kg*
SL out line 13 800	6500 K	88 W	13 900 lm	158 lm/W	128 LEDS	1009 mm	3,3 kg*
SL out line 17 800	2700 K	120 W	16 600 lm	138 lm/W	192 LEDS	1509 mm	4,8 kg*
SL out line 17 800	4500 K	120 W	19 600 lm	163 lm/W	192 LEDS	1509 mm	4,8 kg*
SL out line 17 800	6500 K	120 W	19 600 lm	163 lm/W	192 LEDS	1509 mm	4,8 kg*
SL out line 24 500	2700 K	155 W	21 700 lm	140 lm/W	192 LEDS	2009 mm	5,8 kg*
SL out line 24 500	4500 K	155 W	25 500 lm	165 lm/W	192 LEDS	2009 mm	5,8 kg*
SL out line 24 500	6500 K	155 W	25 500 lm	165 lm/W	192 LEDS	2009 mm	5,8 kg*

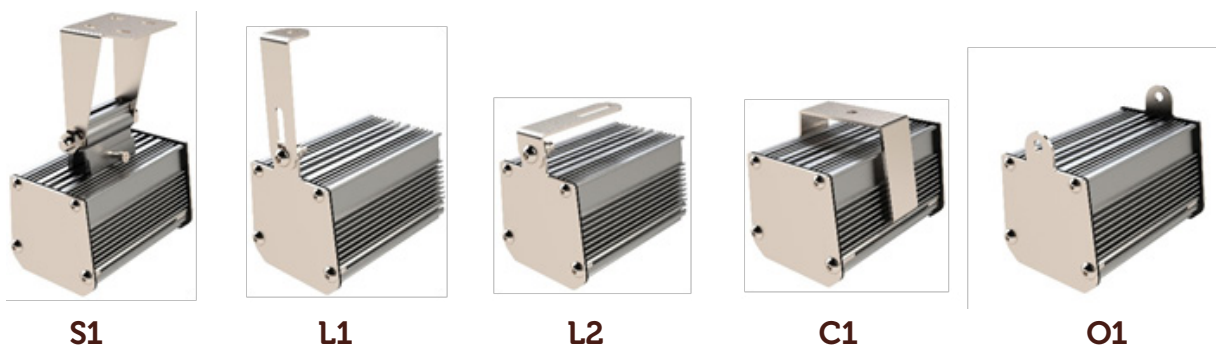
* Notes

- Luminaire lengths are with terminals but without cable glands or IP68 connectors if placed at the end(s) of the luminaire.
- The exact values depend on the design of the luminaire and the components used.
- The standard type of LED ballast used is from Tridonic (other LED ballasts can be used for specific requirements).
- The weight of the luminaires is without brackets and in standard design.
- Power input and luminous flux are within +/- 5%.
- The wattage, luminous flux or even the color temperature and CRI used can of course be adjusted on request.

Dimensions

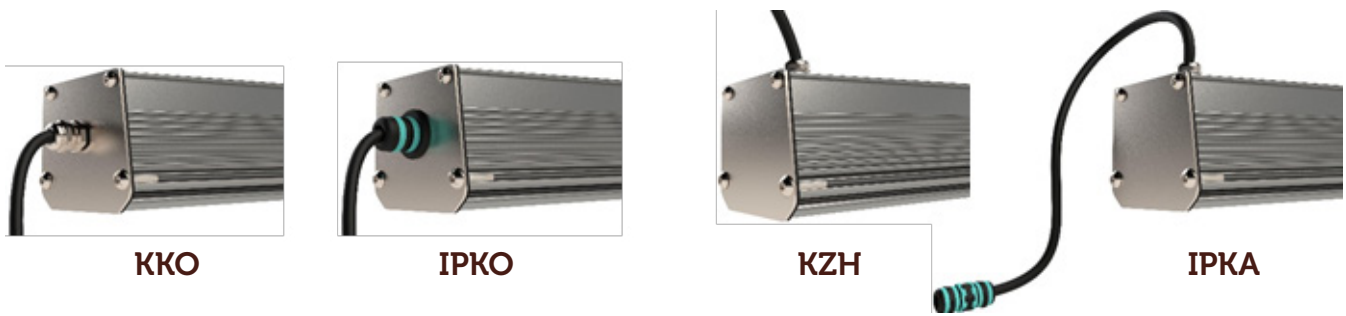


Brackets and mounting



- S1 (holder rotatable and repositionable)
- L1 (holder L long)
- L2 (holder L short)
- C1 (CLICK sliding holder)
- O1 (luminaire side cover with eye for hanging mounting)

Wiring the luminaire



- **KKO** (power cable through side cover)
- **IPKO** (IP connector located in the side cover, for technical specifications of the IP connector "[click here](#)")
- **KZH** (power cable through the wall of the cooling profile)
- **IPKA** (IP connector at the end of the power cable in a custom length, for tech. IP connector specifications "[click here](#)")

Control and management systems

- 0-10 V / 1-10 V, analogue dimming varies the light intensity depending on the control voltage from 0 to 10 V DC, in some versions potentiometer dimming is also used
- DALI-2, a modern digital protocol, enables individually addressable control of luminaires, precise and smooth dimming in the range of 1-100%, high compatibility between different devices and detailed diagnostics of the lighting system. The protocol supports easy integration of other elements e.g. sensors, controllers. Of course, the functionality can be expanded with DALI DT8, which also provides advanced colour and colour temperature control options (Tunable White, RGB).
- basicDIM Wireless (Casambi Ready) is a wireless Bluetooth solution that allows easy control, dimming and adjustment of lighting scenes via a mobile app, without the need for additional cabling.
- The sensors and controls we supply with the luminaires provide intelligent lighting control through reliable detection of motion, occupancy and daylight levels. Thanks to their compatibility with DALI, DALI-2 and basicDIM Wireless, they significantly increase the comfort and efficiency of the lighting system.

Versions of used LEDs:



In the standard version, we manufacture these lamps with Nichia H6 series LEDs in light temperature from 2000 to 6500K with CRI 70-95. Clients most often prefer white daylight 4500 K with CRI80+.



LED with a spectrum close to natural light, so that any color can be reproduced naturally. The ideal LED solution for museums and art galleries, printing and painting factories, as well as in jewelry stores, retail stores and other establishments where high color reproduction and natural, comfortable light are preferred.



The first LED in the world aimed at activating the human mind and body. It emits a natural white color with a high content of the blue-green light spectrum, which is proven to stimulate awakening and support a vibrant life. This product can be used in offices, schools, hospitals, etc. to improve circadian rhythms, productivity and learning.



Dynasolis is a combination of energizing azure (sky blue) and calm, soothing warm white color shade. It is a completely new color tuning and spectrum tuning solution that focuses on the importance of 480nm azure colored light, which defies the conventional concept of color tuning, and which simply changes the ratio of low and high CCT. Thereby it stimulates physical and mental activation from the morning awakening and the secretion of melatonin in the evening and later. Nichia approaches the adjustment of circadian rhythms from the point of view of spectrum tuning.

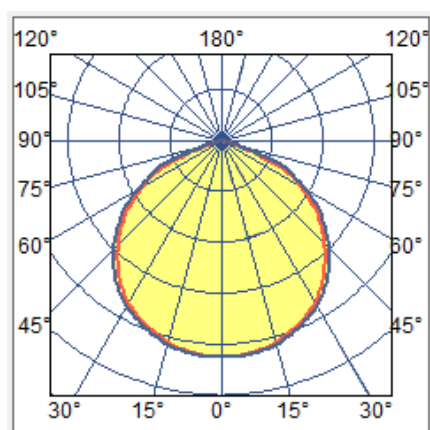


Nichia's adjustable 2-in-1 white LED has been developed to emit and control two color temperatures from a single LED. This LED allows for a simpler design of the fixture compared to the conventional method that doubles the number of LEDs by alternating different color temperatures.



Ideal spectrum for horticulture - plant and fruit growth. This LED includes all the light necessary for the growth of plants and fruits. Different wavelengths are combined in one package, which makes it possible to increase the production efficiency per artificial farm area with maximum efficiency and at the same time realize a good working environment.

Optics:



beam angle 120°

Environmental protection:



Ecology isn't just a slogan for us, we take ecology in the whole production process into consideration. Long lifetime and high efficiency saves markedly natural resources. Tailored beam angle minimalizes light smog and also saves costs for lighting.



After years, we will be happy to refurbish the lamp for you if there is wear and tear.



The construction of the lamp is made of recyclable materials.



In addition to the high-quality LED diodes made in Japan, all components of the lamp are mainly produced in Slovakia and the EU.



We use the highest quality commonly available components for the production of the lamp. Confirmation of quality is an above-standard up to 7 year warranty with the possibility of extension.



The high efficiency has of course direct relation with energy and natural resources savings.



Our lamps do not emit harmful UV and IR radiation, what confirms also photo-biological tests.

Thank you for your interest in our LED lamps.